



NEW PRODUCT NEWS

CONNECTED CAM™

WUXGA Studio Viewfinder

**VF-HP900** (WUXGA Studio Viewfinder)

**SK-900J** (Studio Kit for VF-HP900)

## VF-HP900 WUXGA Studio Viewfinder



## VF-HP900 WUXGA Studio Viewfinder

Studio viewfinder or GY-HC900 series. WUXGA(1920x1200) resolution for precise focusing. Equipped with input / output.

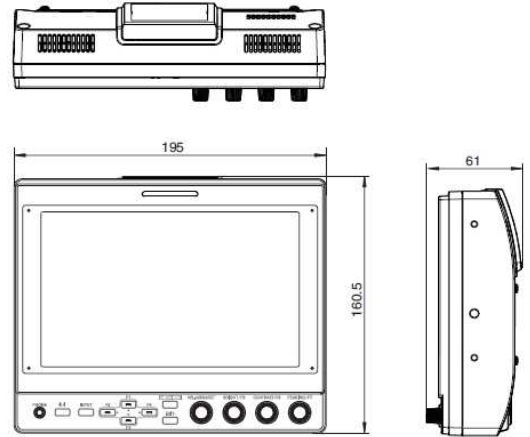
The between VF-HP900 and GY-HC900 connect with only 1 camera provided cable. You can operate GY-HC900 camera menu from using nob (up/down/set) of VF-HP900.

Main features	
Item	Description
Display	7" LCD WUXGA(1920 x 1200), 8bit
Aspect ratio	16:10
Brightness	450 cd/m <sup>2</sup>
Contrast	1100:1
Viewing angle	Horizontal 160°, Vertical 160°
HDR	Support ITU Rec.2100(HLG and PQ)
3D-LUT conversion	a. memorizing selectable 6 files ( ".cube" ) on VF-HP900 b. Selectable 3D-LUT on/off. c. Support J-Log file as pre-installed.

# VF-HP900

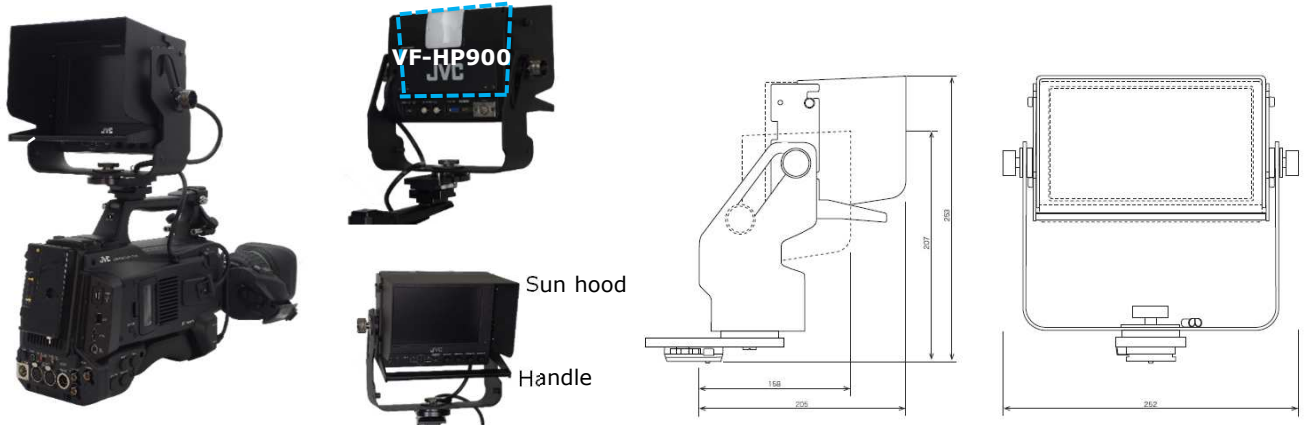
Input/Output Terminal		
Item	Terminal	Description
Video	HDMI	HDMI signal input (HDCP-compatible, linear PCM): HDMI connector x 1
	SDI IN	Digital signal input (3G/HD/SD SDI, supports embedded audio): auto detection, BNC connector x 1
	SDI OUT	Digital signal output (3G/HD/SD SDI, supports embedded audio): BNC connector x 1
	VF CABLE	26-pin connector (terminal used exclusively for camera: video, audio, power, control) x 1
Audio	PHONE	Φ 3.5 mm stereo mini jack x 1
Data	USB	USB2.0 type A x 1
Power	DC IN	XLR 4-pin DC12 V (10.5 V to 17 V) x 1

General	
Item	Description
Device to be connected	GY-HC900
Power	DC 12 V (10.5 V to 17 V)
Power consumption	Approx. 15 W or lower
Ambient temperature	0 °C to 40 °C
Allowable operating humidity	30 %RH to 80 %RH
Weight	1.0 kg
Provided Accessories	VF cable, Number plate x3, Protective cover, Protective mounting screws(M2) x4, Shoe mount



## SK-900J Studio Kit for VF-HP900 (NIPPON VIDEO SYSTEM CO.,LTD)

- Bracket with V-edge type adapter
- Bracket mount adapter for GY-HC900 handle
- Bracket mount adapter for Multidyne fiber adapter
- Handle
- Sun hood



### GENERAL

Dimensions 158mm(L) x 252mm(W) x 202mm(H) (default minimum)  
Weight 1.04 kg

**JVCKENWOOD**

DISTRIBUTED BY

April 2020

"JVC" is the trademark or registered trademark of JVCKENWOOD Corporation.